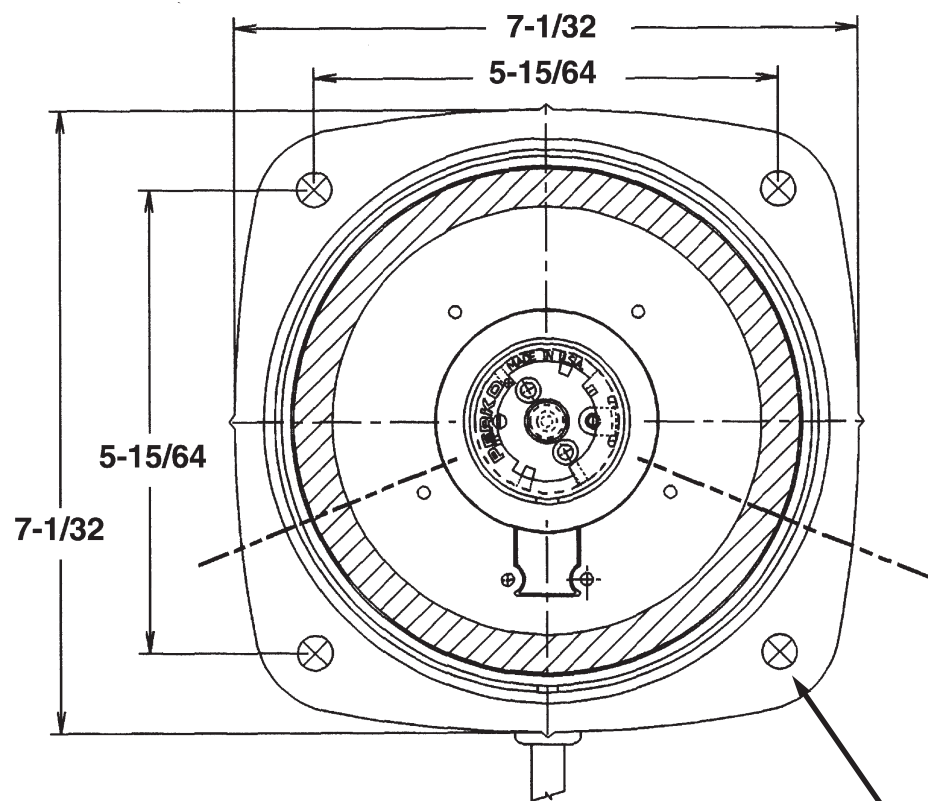
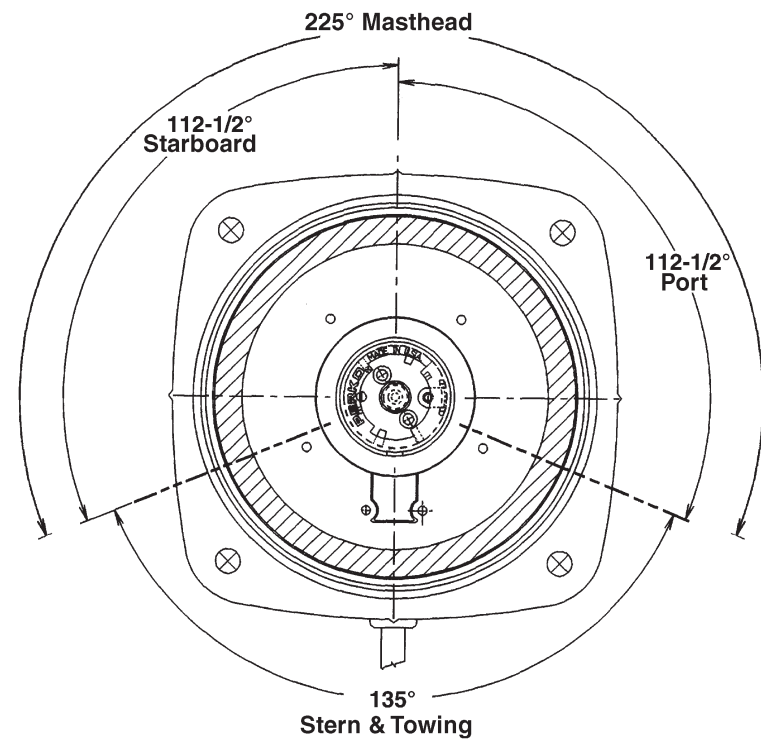
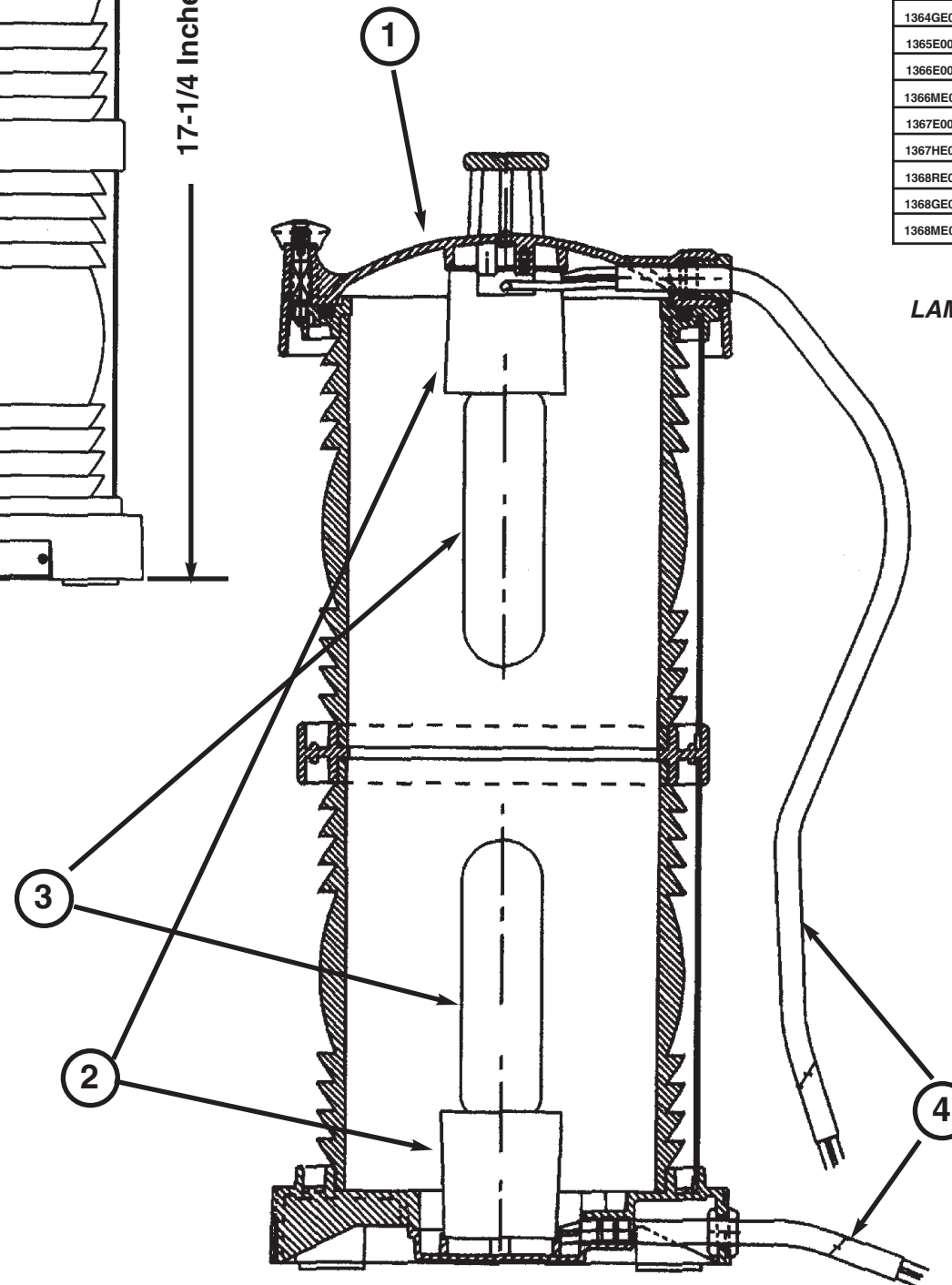
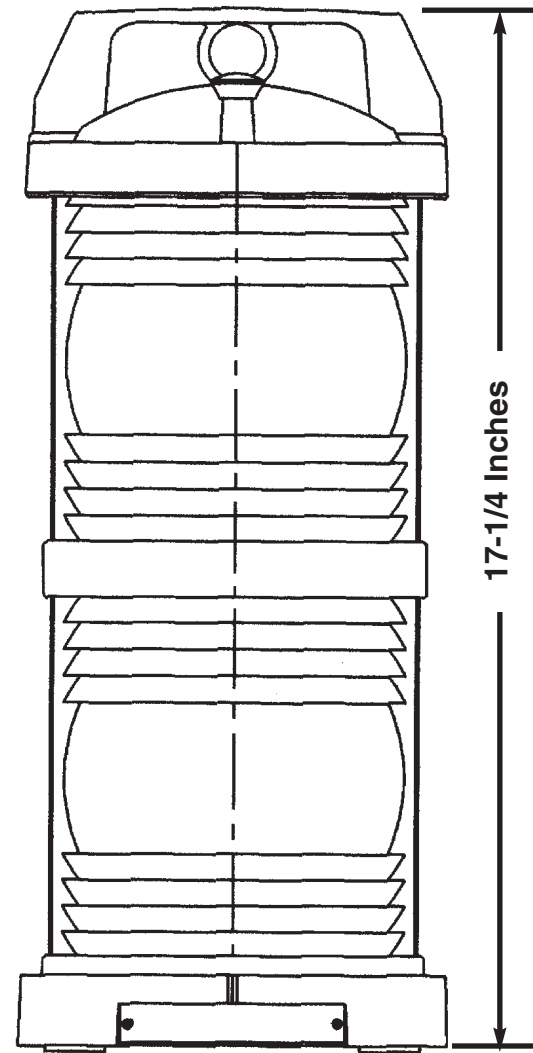


PERKO®



4 Mounting Holes 3/8 Inch Bolts Spaced 5-15/64" apart on center



REPLACEMENT PARTS

No.	Name of Piece	Quan	Material	Size & Specification
1	Light Top Cap Assy with Retainer Cat. No. 1363DBLCLK	1	Polycarb	
2	Socket, Lamp Cat. No. 0367	1		
3	Lamp (See Selection Chart Below)	2		L.C.L 2-3/8 Inches
4	Electrical Cable	2	16/2 SO.	.430 In. Dia. x 3 Ft. Long

LAMP SELECTION CHART AND VISIBILITY SPECIFICATIONS FOR VESSELS OVER 20 METERS (65.6 FT.) IN LENGTH

PERKO CAT. NO.	DESCRIPTION	VISIBILITY ARC	VISIBILITY MILES	PERKO LAMP CATALOG NOS.	NOMINAL WATTAGE
1364RE0BLK	RED SIDE LIGHT	112-1/2°	3	FOR 24 VOLT, USE 0342024CLR	60
1364GE0BLK	GREEN SIDE LIGHT	112-1/2°	3		60
1365E00BLK	WHITE MASTHEAD LIGHT	225°	6		60
1366E00BLK	WHITE STERN LIGHT	135°	3	FOR 120 VOLT, USE 0342004CLR	60
1366ME0BLK	YELLOW TOWING LIGHT	135°	3		60
1367E00BLK	WHITE ALL-ROUND LIGHT	360°	3	OR FOR 120 VOLT, USE 0342RS4CLR	60
1367HE0BLK	WHITE ALL-ROUND LIGHT	360°	6		60
1368RE0BLK	RED ALL-ROUND LIGHT	360°	3	FOR 220 VOLT, USE 0342220CLR	60
1368GE0BLK	GREEN ALL-ROUND LIGHT	360°	3		60
1368ME0BLK	YELLOW ALL-ROUND LIGHT	360°	3		60

LAMP DATA: THE ABOVE REFERENCED 24V, 120V AND 220V LAMPS ARE SPECIAL NAVIGATION LAMPS AND MUST BE USED TO MEET THE 1972 COLREGS.

THESE NAVIGATION LIGHTS MEET U.S. COAST GUARD REQUIREMENTS UNDER THE 1972 COLREGS AND ARE CLASSIFIED BY UNDERWRITER'S LABORATORIES STANDARD U.L. 1104 TO MEET THE 1972 COLREGS AND THE U.S. INLAND NAVIGATION RULES ACT OF 1980.

NOTES:

- For supply connections use 7/16 inch O.D. cable, stranded copper wire minimum 16 gauge 2 conductor 90°C (Prewired with 16/2-S/O Cable).
- Cat. No. 1367HE0BLK is Optional For Great Lakes Only.
- Weight - 10-1/2 Lbs.

PERKO®	
16490 N.W. 13th Avenue	Miami, FL 33169-5707
Date: 1/25/01	Drawn By:
Scale: None	Revised: 7/21/2014
CAT. NO.S 1364 - 1368	
DOUBLE LENS ELECTRIC NAVIGATION LIGHTS	





**INSTALLATION INSTRUCTIONS for
Cat. Nos. 1364 - 1368 "E" Series
DOUBLE LENS NAVIGATION LIGHTS**

NAVIGATION LIGHT CERTIFICATE OF COMPLIANCE

This navigation light has been tested and classified by UNDERWRITERS' LABORATORIES, INC. (U.L.) in accordance with the '72 COLREGS and the U.S. INLAND NAVIGATION RULES ACT OF 1980. When properly installed, and fitted with the correct lamp, this light is approved by the U.S. Coast Guard for use aboard U.S. Coast Guard inspected vessels. This certification is also accepted by other inspecting authorities. An identification plate attached to the light provides lamp replacement and official certification information.

Upon installation, record information below from the identification plate, as applicable to the class of vessel on which the light is to be fitted.

Type of Light _____
(Masthead, Stern, All-Round Etc.)

Cat. No. _____
(1364GE0BLK, 1365E00BLK, Etc.)

D.O.M. No. _____
(Die Stamped)

Vessel Length _____

Replacement Lamps

Upper Compartment _____ Voltage: _____
(Cat No. of lamp)

Lower Compartment _____ Voltage: _____
(Cat No. of lamp)

Date of Installation _____

Vessel Identification _____

7/14

PERKO, INC.
16490 N.W. 13th Avenue
Miami, FL 33169-5707
www.perko.com

The above lights are designed for use on vessels over 20 meters (65.6 ft.) in length, operating on a 24, 120 or 220 volt electrical system. In order to comply with the '72 COLREGS and the U.S. Inland Rules, the following must be adhered to:

**MOUNTING INFORMATION
Read all instructions before proceeding.**

- (1) These instructions describe the installation of the lights after the proper mounting location has been determined. For proper light selection, positioning and configuration, refer to the '72 COLREGS*, U.S. Inland Navigation Rules* and/or other governing requirements applicable to the type and class of vessel.
- (2) These lights are designed to be mounted on a horizontal surface.
- (3) All electrical supply connections must be accomplished in accordance with applicable marine electrical standards and regulations and by a qualified marine electrician.
- (4) Proper lamp must be selected in accordance with the identification plate mounted on the light. The lamps selected to be installed in their respective compartments (upper and lower), must match the supply voltage to that compartment (24, 120 or 220 volts).
- (5) Record information from the identification plate onto the "Navigation Light Certificate of Compliance" and store with the vessel's documents.
- (6) Align light by making sure that a reference line drawn through the fore-aft marks on the light is parallel to the fore-aft centerline of the vessel.
- (7) Using the base as a template, mark the mounting surface and drill for 3/8 inch bolts.
- (8) After bolting in place, re-check alignment.

*The above referenced regulations can be obtained from:

U.S. Coast Guard
Washington, D.C. 20593
(or your local C.G. office)

PERKO, INC.
16490 N.W. 13th Avenue
Miami, FL 33169-5707
www.perko.com

7/14
1364INS1